

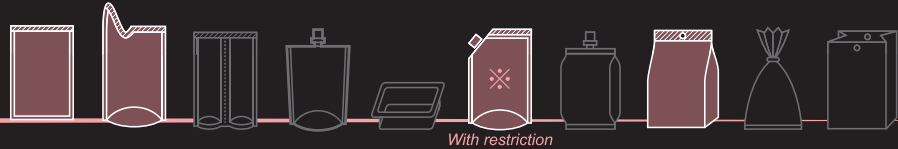
# High-Speed Pouch Filler / Sealer

# TL-AX2/AX8, AX4



TL-AX2/AX8 Sample

Pouch type



With restriction

Filling Product



Solid

Liquid

Solid+Liquid

Powder

- High speed, continuous motion filler sealer for hot fill, beverage, soaps and other liquid products.
- Rotary filling turret for precision filling at high speed.
- CIP cleaning option.
- Multi-line filling operations for unprecedented capacity.
- Decreased labor requirements provide lower costs on units produced.



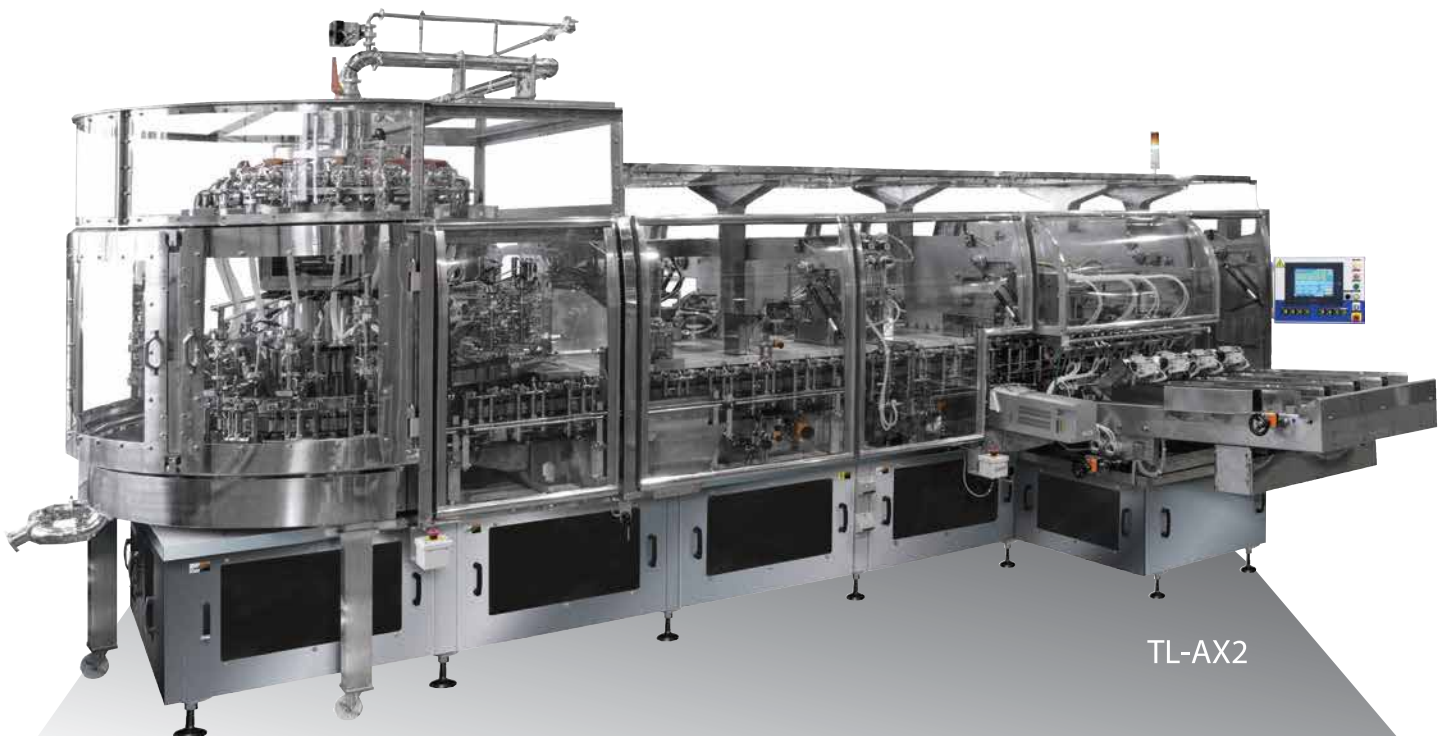
Retort/Hotfill



Wet Use



Loop



TL-AX2



## Conveyor Magazine

High capacity, 4-lane pouch magazine for improved autonomous operation.



## Liquid Filling

Rotary filling turret & magnetic flowmeter filling for clean, precise filling. Nozzle guides insure pouch open.

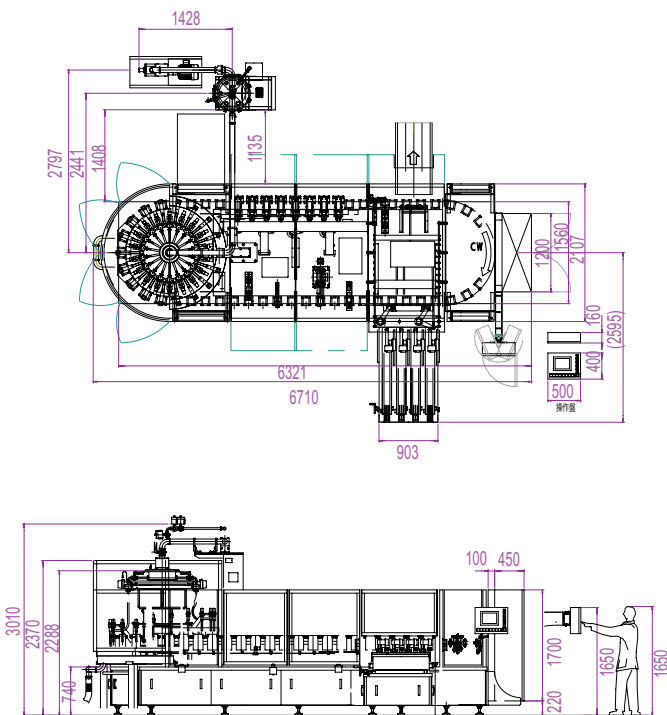


## HMI: Color Touch Screens

User-friendly, information rich screens with maintenance functions.

## Machine Dimensions

\* Specifications & dimensions subject to change without notice.



Model:TL-AX2

## Machine Specifications

\* Depending on product

<b>Capacity</b>	AX2	max. 170 ppm	
	AX8	max. 100 ppm	
	AX4	max. 250 ppm	
<b>Pouch Size</b>	AX2	W: 100 - 150 mm	L: max. 280 mm
	AX8	W: 100 - 150 mm	L: max. 280 mm
	AX4	W: 90 - 110 mm	L: max. 160 mm
<b>Pouch Material</b>	Various laminated pouch		
<b>Pouch Style</b>	Flat pouch, Stand-up pouch		
<b>Filling Method</b>	Magnetic Flow Meter		
<b>Filling Range (STD)</b>	AX2	100 - 600 cc	
	AX8	100 - 600 cc	
	AX4	20 - 200 cc	
<b>Filling Head</b>	AX2	18	
	AX8	12	
	AX4	18	
<b>Sealing Method</b>	3-stage heat/heat/cool sealing method		
<b>Electric Power</b>	AX2	28 kVA	
	AX8	13 kVA	
	AX4	28 kVA	
<b>Air Consumption</b>	AX2	0.5Mpa , 1,200 NL/min (ANR)	
	AX8	0.5Mpa , 1,000 NL/min (ANR)	
	AX4	0.5Mpa , 1,200 NL/min (ANR)	
<b>Machine Dimension &amp; Weight</b>	AX2	W 3,650 × L 6,710 × H 3,010 mm	8,000 kg
	AX8	W 4,190 × L 4,590 × H 2,890 mm	4,500 kg
	AX4	W 3,710 × L 5,030 × H 2,930 mm	8,000 kg
<b>Accessories</b>	Discharge Conveyor, Vacuum pump, Automatic Lubrication Device, Pouch Open Detector, Pouch Height Detector		
<b>Options</b>	Inkjet Printer, Pouch-bottom Opening Device		

## Applications

Juice, Liquid detergents, etc.