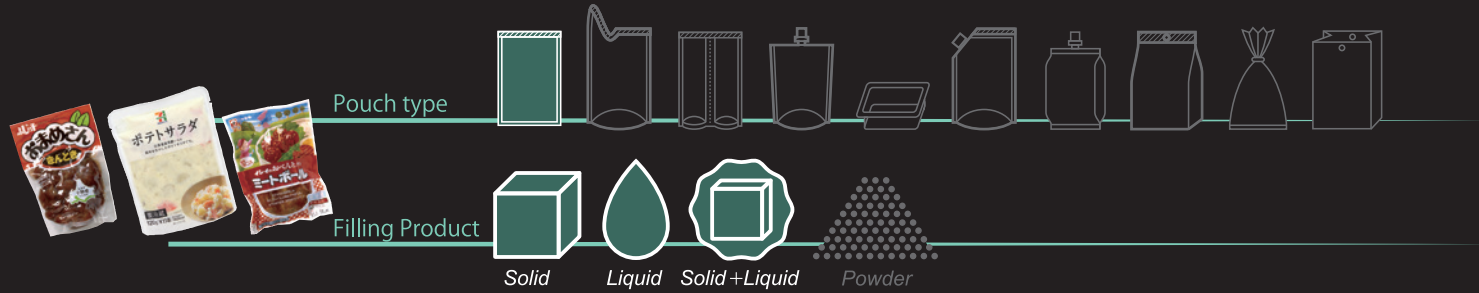


Pouch Fill Vacuum / Sealer Series E

TVP-E3/E4/E5



- Highly efficient two-table design pioneered by PACRAFT.
- Permits automated filling & transfer of filled pouches into the vacuum chambers using one operator.
Permits large reduction in staffing requirements compared with manual filling and vacuum chamber operations.
- Easy clean, sanitary design
- HMI touch panels and easy adjustment points, allow for quick, no waste product & pouch changeovers.



Retort/Hotfill



Wet Use



Stations



No. of Chambers
(E5)



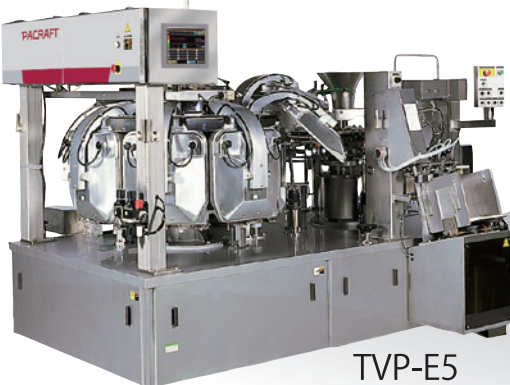
No. of Chambers
(E4)

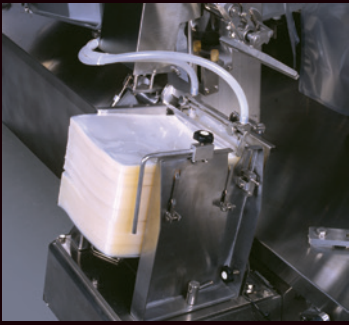


No. of Chambers
(E3)



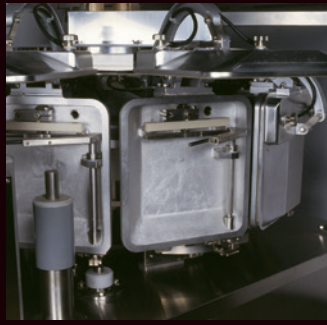
Simplex





Elevator Magazine

Simplified, cost-effective pouch magazine for flat pouch only applications. Conveyor style magazines available for standup pouch use.



Vacuum Chambers

Smooth surfaces with no obstruction points for easy cleaning.

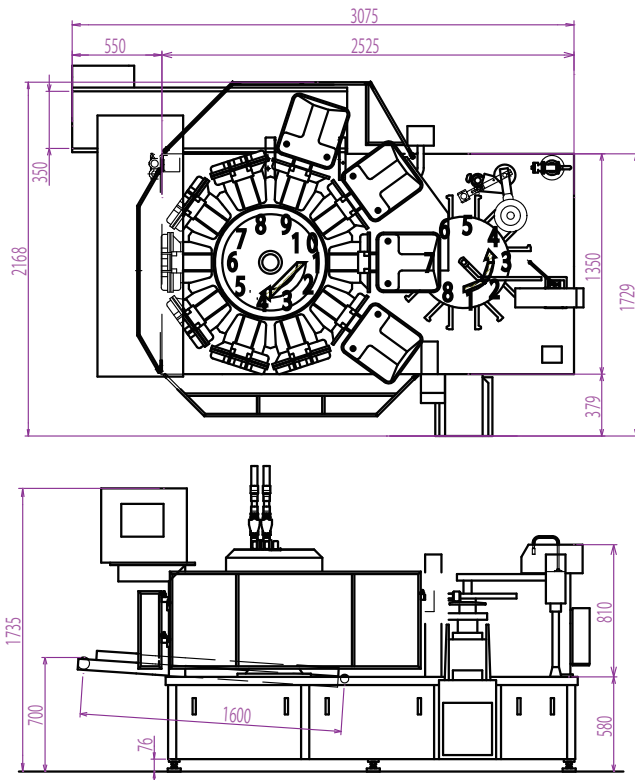


HMI: Color Touch Screens

User-friendly, information rich screens with maintenance functions

Machine Dimensions

* Specifications & dimensions subject to change without notice.



Model:TVP-E4

Machine Specifications

* Depending on product

Capacity	E3 max. 50 ppm	
	E4 max. 40 ppm	
	E5 max. 25 ppm	
Pouch Size	E3 W: 80 - 180 mm	L: max. 260 mm
	E4 W: 100 - 220 mm	L: max. 300 mm
	E5 W: 150 - 290 mm	L: max. 380 mm
Pouch Material	Various laminated pouch	
Pouch Style	Flat pouch, Stand-up pouch	
Filling Method	Various pumps available depending on products	
Filling Range (STD)	E3 30 - 300 cc	
	E4 50 - 500 cc	
	E5 200 - 1500 cc	
Number of Chambers	E3 12 chambers	
	E4 10 chambers	
	E5 8 chambers	
Sealing Method	Impulse seal	
Electric Power	5.2 kVA	
Air Consumption	0.5MPa~250L (Normal) /min	
Machine Dimension & Weight	E3 W 2,164 × L 2,720 × H 1,730 mm	2,800 kg
	E4 W 2,168 × L 3,075 × H 1,735 mm	2,800 kg
	E5 W 2,370 × L 3,270 × H 1,775 mm	2,900 kg
Accessories	Discharge Conveyor, Heater Disconnection Alarm, Pouch Open Detector	
Options	Vacuum pump 2 units, Date Printer, High Viscosity Filling Pumps & Tanks, Various Solid Filling Device, Vacuum Control Device, High Temperature Product Vacuum Packaging Compliment	

Applications

Hamburger, Meat ball, Pickles, Cooked food, Processed sea food, Coffee, Nuts, etc.