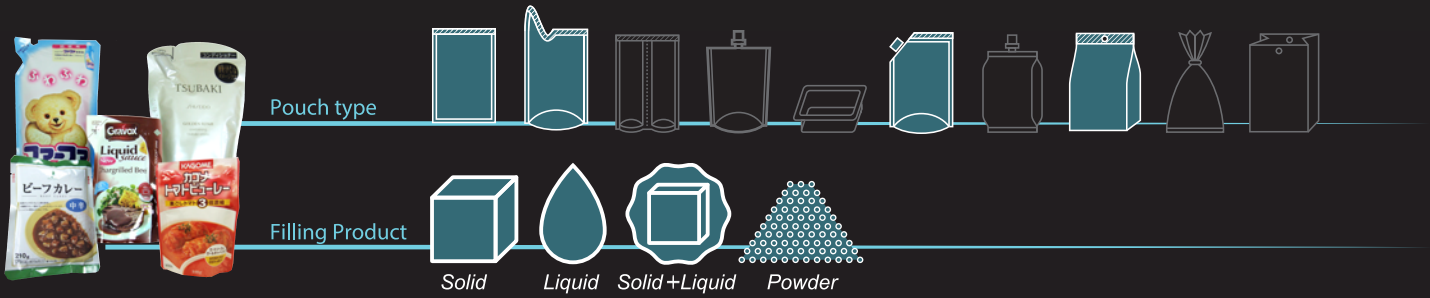


## High Speed Pre-made Pouch Filler / Sealer

# TT-9CW / 9CW2 / 9CW3



- PACRAFT's most popular filler / sealer for shelf stable retort & hotfill applications
- Duplex filler sealer for use with one or two-stage filling applications.
- Intuitive, simple operation & maintenance with focus on safety and sanitary design.
- Fast, no tool & no scrap changeovers.
- Highly efficient & durable construction for multi-shift operation & long operating life.



Retort/hotfill



Wet Use



Stations



Duplex

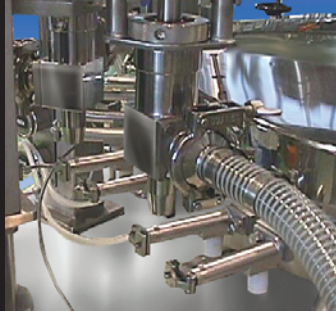


TT-9CW



## Pouch Opening / Solid Filling

Top & bottom pouch opening. Two step solid fill station for assured filling. Compatible with a wide variety of auger, computer scale, cup & pocket filler options.



## Liquid Filling

Various nozzle styles & sizes provide highly accurate, no drip filling. Simple disassembly for cleaning & changeovers.

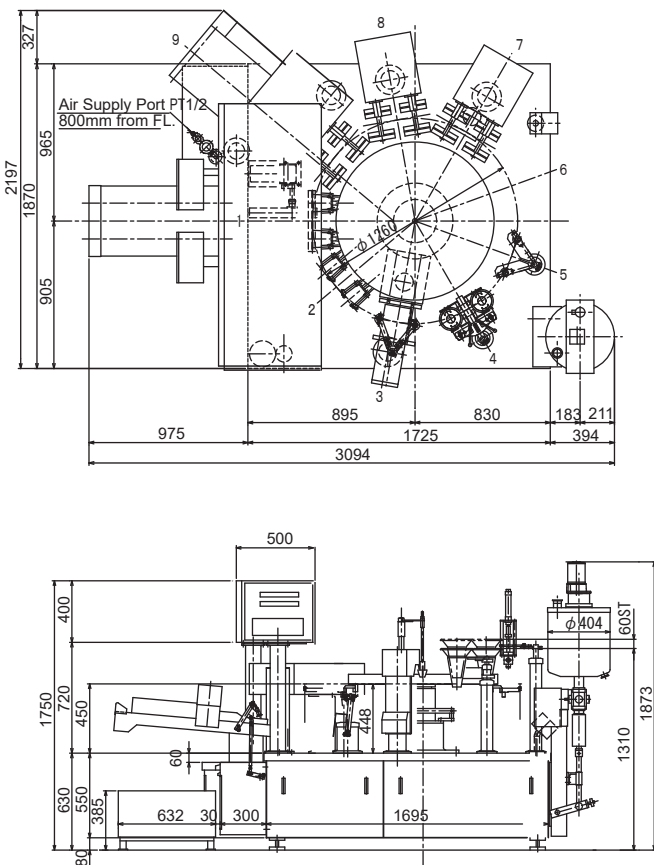


## HMI: Color Touch Screens

User-friendly, information rich screens with maintenance functions

## Machine Dimensions

\* Specifications & dimensions subject to change without notice.



Model:TT-9CW

## Machine Specifications

\* Depending on product

<b>Capacity</b>	9CW	max. 90 ppm	
	9CW2	max. 60 ppm	
	9CW3	max. 50 ppm	
<b>Pouch Size</b>	9CW	W: 80 - 150 mm	L: 120 - 230 (300) mm
	9CW2	W: 120 - 180 mm	L: 150 - 300 (400) mm
	9CW3	W: 150 - 230 mm	L: 200 - 400 mm
<b>Pouch Material</b>	Various laminated pouches, PE pouch		
<b>Pouch Style</b>	Flat, Stand-up and pouches with press-to-close		
<b>Filling Method</b>	Various pumps available depending on products		
<b>Liquid Filling Volume</b>	9CW	50~350 cc (STD)	
	9CW2	100~750 cc (STD)	
	9CW3	500~1,500 cc (STD)	
<b>Air Evacuation</b>	Press Type3-stage heat/heat/cool sealing method		
<b>Sealing Method</b>	2 heat seal & 1 cooling station		
<b>Electric Power</b>	7.5 kVA		
<b>Air Consumption</b>	9CW	0.5MPa, 700 L/min (ANR)	
	9CW2	0.5MPa, 800 L/min (ANR)	
	9CW3	0.5MPa, 800 L/min (ANR)	
<b>Machine Dimension &amp; Weight</b>	9CW	W 2,197 × L 3,094 × H 1,873 mm	3,000 kg
	9CW2	W 2,715 × L 3,300 × H 1,923 mm	3,500 kg
	9CW3	W 2,715 × L 3,600 × H 2,160 mm	3,500 kg
<b>Accessories</b>	Product feeding hopper, Product discharge conveyor Pouch opening follow-up guide, Product counter, Heater disconnection alarm Pouch opening detection device		
<b>Options</b>	Date printer, Air squeeze device, Tapping Stand-up pouch bottom opening device N2 Gas flush device, Zip open-close device Fill pause mode, Seal area cleaning, Pouch recycle Double pouch detection, Various filling device, Pouch pick-up position detection, Product in seal detection		

## Applications

Shelf stable food, Delicatessen, Frozen foods, Pre-cooked rice, Juice, Seafood  
Liquid detergent and many others.